

MPort 100 series

1-port RS-232/422/485 serial device servers

Model: MPB 101



Features and Benefits

- Small size for easy installation
- Real COM and TTY drivers for Windows and Linux
- Standard TCP/IP interface and versatile operation modes
- Easy-to-use Windows utility for configuring multiple device servers
- SNMP MIB-II for network management
- Configure by Telnet, web browser, or Windows utility
- Adjustable pull high/low resistor for RS-485 ports

Introduction

MPort 100 device servers are designed to make serial devices network-ready in an instant. The small size of the servers makes them ideal for connecting devices such as card readers and payment terminals to an IP-based Ethernet LAN. Use the MPort 100 device servers to give your PC software direct access to serial devices from anywhere on the network.

Most Cost-effective Serial-to-Ethernet Solution

Using serial device servers to connect legacy serial devices to Ethernet is now commonplace, and users expect device servers to be cost-effective and to provide a broad selection of useful functions. With its full support of Microsoft and Linux operating systems and solid 5-year warranty, the MPort 100 Series provides the best choice for serial-to-Ethernet converters.

Adjustable Termination and Pull High/Low Resistors

In some critical environments, termination resistors may be needed to prevent the reflection of serial signals. When using termination resistors, it is also important to set the pull high/low resistors correctly so that the electrical signal is not corrupted. Since no set of resistor values is universally compatible with all environments, the MPort 100 device servers come with jumpers for adjusting termination and pull high/low resistor values for each serial port.

Standard TCP/IP Interface and Broad Choice of Operation Modes

The MPort 100 device servers can be configured for TCP Server, TCP Client, UDP Server/Client, Pair Connection, or Ethernet Modem mode, ensuring compatibility with software based on a standard network API (e.g., Winsock or BSD Sockets).

Real COM/TTY Drivers for Existing Software

The Real COM/TTY drivers provided with the MPort 100 device servers allow you to continue using software designed for communicating through COM/TTY ports. Installation and configuration are painless, and allows your serial devices and PC to communicate seamlessly over a TCP/IP network. Using VCAN's Real COM/TTY drivers is an excellent way to preserve your software investment while still allowing you to enjoy the benefits of networking your serial devices.

Easy to Troubleshoot

MPort 100 device servers support SNMP, which can be used to monitor all units over Ethernet. Each unit can be configured to send trap messages automatically to the SNMP manager when user-defined errors are encountered. For users who do not use SNMP manager, an email alert can be sent instead. Users can define the trigger for the alerts using VCAN's Windows utility, or the web console. For example, alerts can be triggered by a warm start, a cold start, or a change in password.

Specifications

Ethernet Interface

10/100BaseT(X) Ports (RJ45 connector)	1
Magnetic Isolation Protection	1.5 kV (built-in)

Ethernet Software Features

Configuration Options	Serial Console
Management	DHCP Client, IPv4, SNTP, SMTP, SNMPv1, Telnet, DNS, HTTP, ARP, BOOTP, UDP, TCP/IP, ICMP

Serial Interface

Connector	DB9 male
No. of Ports	1 port
Serial Standards	RS-232, RS-422, RS-485
Operation Modes	Disabled, TCP Client, TCP Server, UDP
Baud rate	Supports standard baud rates (unit=bps): 50, 75, 110, 134, 150, 300, 600, 1200, 1800, 2400, 4800, 7200, 9600, 19200, 38400, 57600, 115200, 230.4k, 460.8k, 921.6k
Parity	None, Even, Odd, Space, Mark
Pull High/Low Resistor for RS-485	1 kilo-ohm, 150 kilo-ohms
Terminator for RS-485	120 ohms

Serial Signals

RS-232	TxD, RxD, RTS, CTS, DTR, DSR, DCD, GND
RS-422	Tx+, Tx-, Rx+, Rx-, GND
RS-485-4w	Tx+, Tx-, Rx+, Rx-, GND
RS-485-2w	Data+, Data-, GND

Power Parameters

Input Current	128 mA @ 12 VDC 200 mA @ 12 VDC
Input Voltage	9 to 36 VDC
No. of Power Inputs	1
Source of Input Power	Power input jack

Physical Characteristics

Housing	Metal
Installation	Desktop, DIN-rail mounting (with optional kit), Wall mounting
Dimensions (with ears)	75 x 80 x 30 mm
Dimensions (without ears)	52 x 80 x 30 mm

Environmental Limits

Operating Temperature	-40 to 75°C (-40 to 167°F)
Storage Temperature (package included)	-40 to 75°C (-40 to 167°F)
Ambient Relative Humidity	5 to 95% (non-condensing)

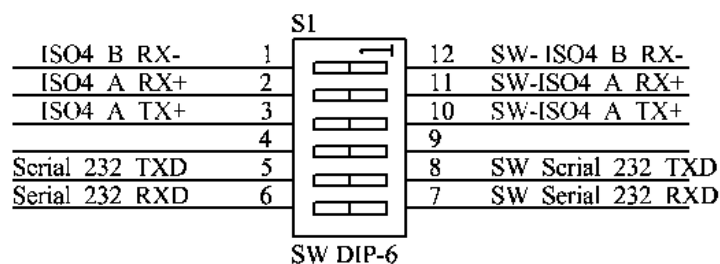
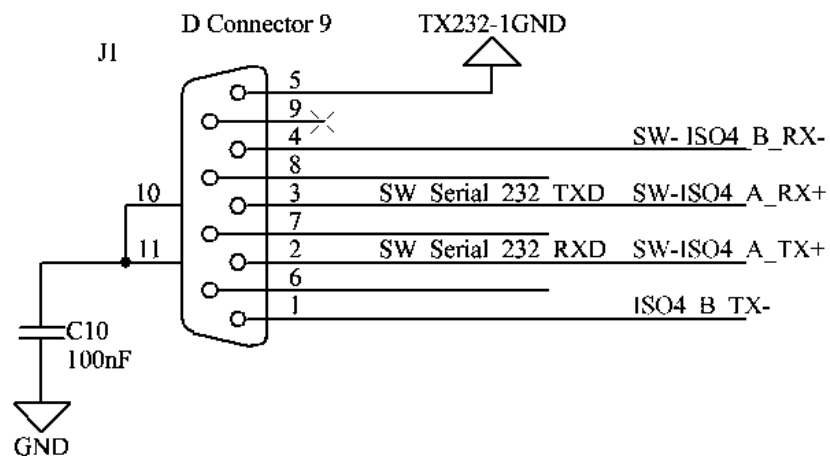
MTBF

Time	2,836,863 hrs
Standards	Telcordia (Bellcore) Standard TR/SR

Warranty

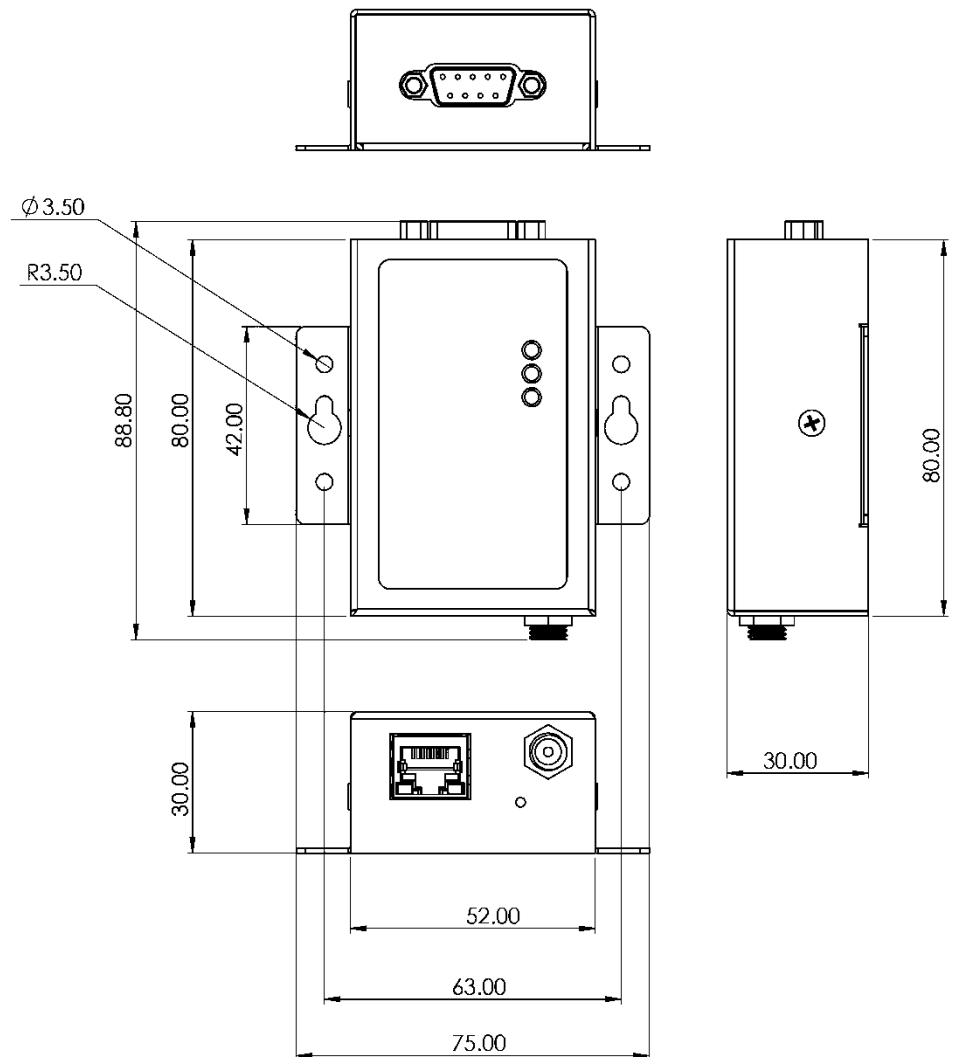
Warranty Period	1 years
-----------------	---------

PinOut



Dimensions

Unit: mm



MojPardaz Basir Co., LTD.

This document and any portion thereof may not be reproduced or used in any manner whatsoever without the express written permission of Moj Pardaz Basir LTD. Product specifications subject to change without notice. Visit our website for the most up-to-date product information.